



933 **Insights into the pathogenesis of normal-pressure hydrocephalus**

S. Spina and S.M. Laws

**Articles: Short Format**

Full articles at Neurology.org/N

935 **Diagnosing and quantifying a common deficit in multiple sclerosis: Internuclear ophthalmoplegia**

J.A. Nij Bijvank, L.J. van Rijn, L.J. Balk, H.S. Tan, B.M.J. Uitdehaag, and A. Petzold

🔗 Editorial, p. 929 [Open Access Article](#)

936 **Erenumab in chronic migraine with medication overuse: Subgroup analysis of a randomized trial**

S.J. Tepper, H.-C. Diener, M. Ashina, J.L. Brandes, D.I. Friedman, U. Reuter, S. Cheng, J. Nilsen, D.K. Leonardi, R.A. Lenz, and D.D. Mikol

[Open Access Article](#) 🔗 [Class of Evidence](#)

937 **Attention and corpus callosum volumes in individuals with mucopolysaccharidosis type I**

K.E. King, K.D. Rudser, I. Nestrasil, V. Kovac, K.A. Delaney, J.R. Wozniak, B.A. Mueller, K.O. Lim, J.B. Eisengart, E.G. Mamak, J. Raiman, N. Ali, S. Cagle, P. Harmatz, C.B. Whitley, and E.G. Shapiro

938 **Quantitative EEG predicts outcomes in children after cardiac arrest**

S. Lee, X. Zhao, K.A. Davis, A.A. Topjian, B. Litt, and N.S. Abend

939 **Meta-analysis and cost-effectiveness of second-line antiepileptic drugs for status epilepticus**

I.S. Fernández, M. Gainza-Lein, N. Lamb, and T. Loddenkemper

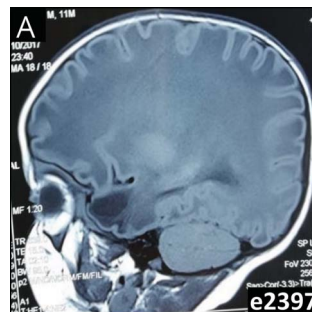
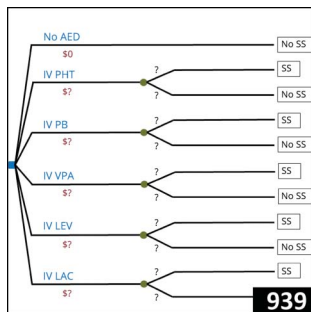
🔗 CME Course 🔗 Editorial, p. 931 🎧 Podcast

940 **Network-targeted stimulation engages neurobehavioral hallmarks of age-related memory decline**

A.S. Nilakantan, M.-M. Mesulam, S. Weintraub, E.L. Karp, S. VanHaerents, and J.L. Voss

941 **Incidence of frontotemporal lobar degeneration in Italy: The Salento-Brescia Registry study**

G. Logroscino, M. Piccininni, G. Binetti, C. Zecca, R. Turrone, R. Capozzo, R. Tortelli, P. Battista, E. Bagoj, R. Barone, S. Fostinelli, L. Benussi, R. Ghidoni, A. Padovani, S.F. Cappa, A. Alberici, and B. Borroni



Select figures listed on the Table of Contents only appear within the full-length articles online.

**In Focus**

927 **Spotlight on the May 14 issue**

928 **This Week's Neurology® Podcast**

**Editorials**

929 **Personalizing medical care for patients with MS: Monitoring brainstem damage by infrared oculography**

P. Villoslada, A.J. Green, and S. Galetta

931 **Status epilepticus: Will we capture the moment or continue without evidence of efficacy or costs?**

C.A. Press and K.E. Chapman

🔗 **Ahead of Print Articles and Editorials**

[NPub.org/headofprint](http://NPub.org/headofprint)

*Continued*

942 **Nonsense mutation in *CFAP43* causes normal-pressure hydrocephalus with ciliary abnormalities**

Y. Morimoto, S. Yoshida, A. Kinoshita, C. Satoh, H. Mishima, N. Yamaguchi, K. Matsuda, M. Sakaguchi, T. Tanaka, Y. Komohara, A. Imamura, H. Ozawa, M. Nakashima, N. Kurotaki, T. Kishino, K.-i. Yoshiura, and S. Ono

🔗 Editorial, p. 933 [Open Access Article](#)

943 **Inflammatory cytokines and ischemic stroke risk: The REGARDS cohort**

N.S. Jenny, P.W. Callas, S.E. Judd, L.A. McClure, B. Kissela, N.A. Zakai, and M. Cushman

🎧 CME Course

944 **Clinical complications and outcomes of angiographically negative subarachnoid hemorrhage**

C.L. Nesvick, S. Oushy, L. Rinaldo, E.F. Wijdicks, G. Lanzino, and A.A. Rabinstein

### What's Happening

945 **What's happening in *Neurology*<sup>®</sup> *Clinical Practice***

946 **What's happening in *Neurology*<sup>®</sup> *Neuroimmunology & Neuroinflammation***

947 **What's happening in *Without Borders***

### Views & Reviews

948 **Association between restless legs syndrome and other movement disorders**

H. Alonso-Navarro, E. García-Martín, J.A.G. Agúndez, and F.J. Jiménez-Jiménez

### Clinical/Scientific Notes

965 **Toxic diffuse isolated cerebellar edema from over-the-counter health supplements**

D.D. Kim, C. Shoosmith, and L.-C. Ang

### Reflections: Neurology and the Humanities

967 **Falling asleep**

E. Forsbergh

🔊 Audio

### Resident & Fellow Section

968 **Clinical Reasoning: Refractory status epilepticus in a primigravida**

H. Shi, G. Waldman, S. Tobochnik, S.-H. Kuo, and A. Pack

e2395 **Teaching NeuroImages: A fuzzy determination of stroke onset**

J.E. Siegler, W.W. Aamodt, and K.A. Humbert

e2397 **Teaching NeuroImages: A child with macrocephaly and psychomotor development delay**

H. Rhouda, L. Chat, and Y. Kriouiile

e2399 **Teaching Video NeuroImages: Hourglass-like fascicular constriction in Parsonage-Turner syndrome**

S. Mittas and E. Wilder-Smith

📺 Video

### Disputes & Debates: Editors' Choice

973 **Editors' note: Ethical, palliative, and policy considerations in disorders of consciousness**

A. Lewis and S. Galetta

973 **Reader response: Ethical, palliative, and policy considerations in disorders of consciousness**

N.K. Sethi

974 **Author response: Ethical, palliative, and policy considerations in disorders of consciousness**

J.J. Fins and J.L. Bernat

974 **Editors' note: DBS of the PSA and the VIM in essential tremor: A randomized, double-blind, crossover trial**

A. Lewis and S. Galetta

975 **Reader response: DBS of the PSA and the VIM in essential tremor: A randomized, double-blind, crossover trial**

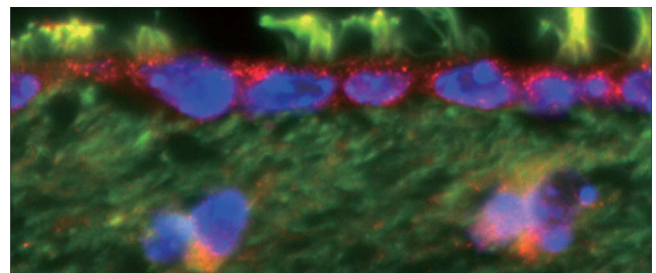
C. Sidiropoulos

975 **Author response: DBS of the PSA and the VIM in essential tremor: A randomized, double-blind, crossover trial**

M.T. Barbe, P. Reker, S. Hamacher, J. Franklin, D. Kraus, T.A. Dembek, J. Becker, J.K. Steffen, N. Allert, J. Wirths, H.S. Dafsari, J. Voges, G.R. Fink, V. Visser-Vandewalle, and L. Timmermann

### Department

In the Next Issue of *Neurology*<sup>®</sup>



📺 Cover image

Immunofluorescent staining of ciliary protein. Some epithelial cells of the lateral ventricle and trachea of *Cfap43*<sup>-/-</sup> mice showed defect of Spf2 protein.

See page 942

# Neurology®

92 (20)

*Neurology* 2019;92:e2399-976

**This information is current as of January 1, 2019**

**Updated Information & Services**

including high resolution figures, can be found at:  
<http://n.neurology.org/content/92/20.full>

**Permissions & Licensing**

Information about reproducing this article in parts (figures, tables) or in its entirety can be found online at:  
[http://www.neurology.org/about/about\\_the\\_journal#permissions](http://www.neurology.org/about/about_the_journal#permissions)

**Reprints**

Information about ordering reprints can be found online:  
<http://n.neurology.org/subscribers/advertise>

*Neurology*® is the official journal of the American Academy of Neurology. Published continuously since 1951, it is now a weekly with 48 issues per year. Copyright . All rights reserved. Print ISSN: 0028-3878. Online ISSN: 1526-632X.

